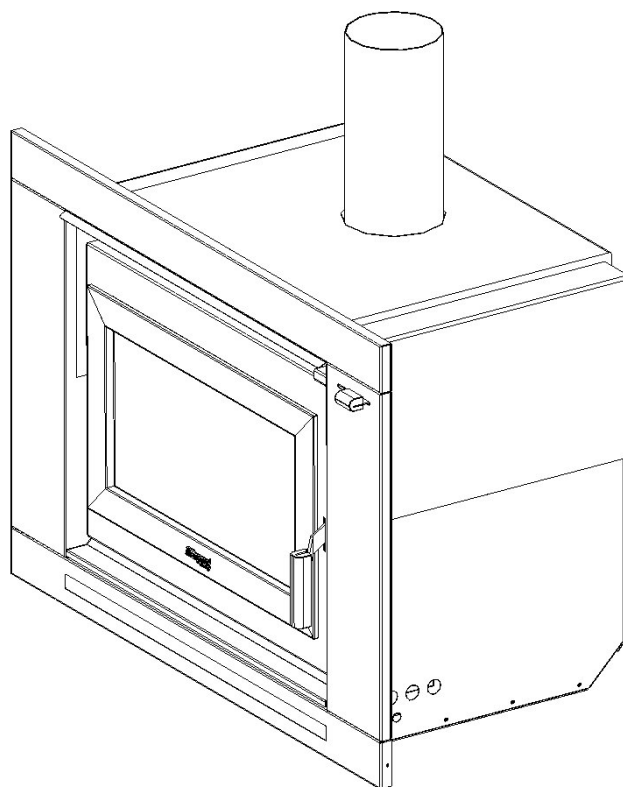




## MASPORT I9000 INSERT FIRE

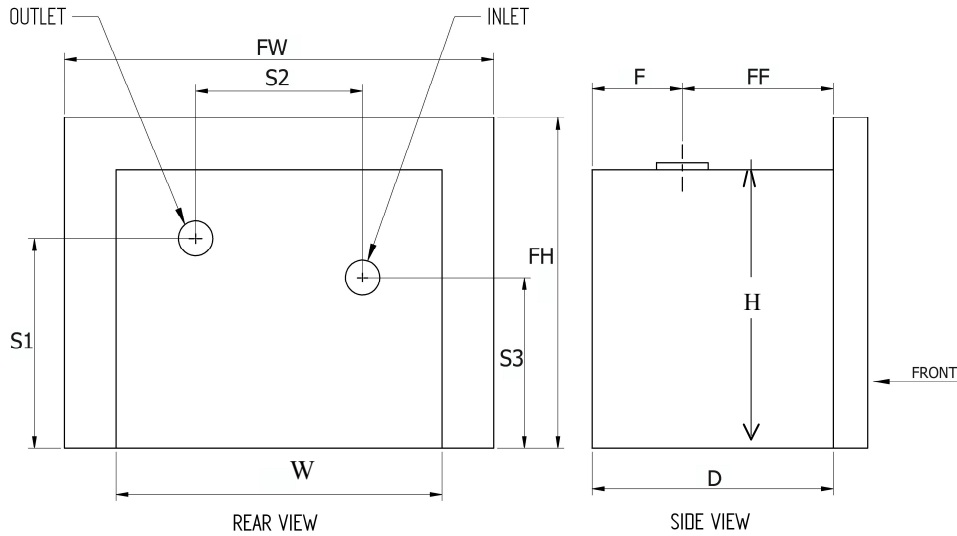
## INSTALLATION INSTRUCTIONS



**Manufactured in New Zealand by:**  
GLEN DIMPLEX AUSTRALASIA LIMITED  
38 Harris Road, East Tamaki  
Auckland  
Ph: 0800 666 2824  
Fax: 09274 8472  
Email: [sales@glendimplex.co.nz](mailto:sales@glendimplex.co.nz)  
Web: [www.glendimplex.co.nz](http://www.glendimplex.co.nz)

**Distributed in Australia by:**  
GLEN DIMPLEX AUSTRALIA PTY LIMITED  
Unit 2, 205 Abbots Road, Dandenong South  
Victoria, 3175  
Ph: 1 300 566 816  
Fax: 1 800 058 900  
Email: [sales@glendimplex.com.au](mailto:sales@glendimplex.com.au)  
Web: [www.glendimplex.com.au](http://www.glendimplex.com.au)

## DIMENSIONS:



MODEL	D	F	FF	FH	FW	H	W	S1	S2	S3
I9000 INSERT	565*	217*	348	741	1024	695*	760*	476	340	456

\* Includes insulating blankets.

## INTRODUCTION

In the interest of your safety, most building regulatory Authorities in Australia and New Zealand require any woodfire installation to comply with Installation Standard AS/NZS 2918:2001. They may also have local requirements in addition to those in the Standard. Check with your local Building Authority **before commencing installation** to find if you will require a Permit and whether there are extra requirements. This woodfire has been tested to ensure that it will meet the appropriate safety Standard requirements if these instructions are followed. As the safety and emission performance can be affected by altering the appliance, no modifications are allowed without written permission from the manufacturer.

The model I9000 has been tested to demonstrate compliance with current general emission requirements in Australia and New Zealand, but some areas have stricter limits. So **check before** purchasing or installing the requirements for your area.

**WE RECOMMEND THAT THE INSTALLATION OF YOUR MASPORT WOODFIRE BE CARRIED OUT BY A QUALIFIED SPECIALIST INSTALLER.**

**IF ANY ELECTRICAL WORK IS REQUIRED, IT MUST BE CARRIED OUT BY A LICENSED ELECTRICIAN.**

**IN SOME REGIONS POWER POINTS ARE NOT PERMISSIBLE WITHIN THE FLOOR PROTECTOR AREA, PLEASE CHECK WITH YOUR LOCAL AUTHORITY.**

**IF THE SUPPLY CORD IS DAMAGED, IT MUST BE REPLACED BY THE MANUFACTURER OR ITS SERVICE AGENT OR A SIMILARY QUALIFIED PERSON IN ORDER TO AVOID ELECTRICAL HAZARD.**

**WARNING: THE APPLIANCE AND FLUE SYSTEM MUST BE INSTALLED IN ACCORDANCE WITH AS/NZS 2918:2001 AND THE APPROPRIATE REQUIREMENTS OF THE REVELANT BUILDING CODE OR CODES.**

**WARNING: APPLIANCES INSTALLED IN ACCORDANCE WITH THIS STANDARD SHALL COMPLY WITH THE REQUIREMENTS OF AS/NZS 4013 WHERE REQUIRED BY THE REGULATORY AUTHORITY, I.E. THE APPLIANCE SHALL BE IDENTIFIABLE BY A COMPLIANCE PLATE WITH THE MARKING 'TESTED TO AS/NZS 4013'. ANY MODIFICATION OF THE APPLIANCE THAT HAS NOT BEEN APPROVED IN WRITING BY THE TESTING AUTHORITY IS CONSIDERED TO BE IN BREACH OF THE APPROVAL GRANTED FOR COMPLIANCE WITH AS/NZS 4013.**

**WARNING FOR APPLIANCES WITH WATER HEATING DEVICES: DO NOT CONNECT TO AN UNVENTED HOT WATER SYSTEM. INSTALL IN ACCORDANCE WITH AS 3500.4.1 OR NZS 4603 AND THE APPROPRIATE REQUIREMENTS OF THE REVELANT BUILDING CODE OR CODES.**

PLEASE ENSURE THAT ONLY COMPONENTS APPROVED BY GLEN DIMPLEX AUSTRAL-ASIA LTD ARE USED FOR INSTALLATION, as substitutes may adversely affect performance and might nullify compliance with the requirements of AS/NZS 2918:2001.

CAUTION: MIXING OF APPLIANCE OR FLUE SYSTEM COMPONENTS FROM DIFFERENT SOURCES OR MODIFYING THE DIMENSIONAL SPECIFICATION OF COMPONENTS MAY RESULT IN HAZARDOUS CONDITIONS. WHERE SUCH ACTION IS CONSIDERED, THE MANUFACTURER SHOULD BE CONSULTED IN THE FIRST INSTANCE.

CAUTION: CRACKED OR BROKEN COMPONENTS, E.G. GLASS PANELS, MAY RENDER THE INSTALLATION UNSAFE.

## **NOTE**

The following instructions cover the installation of the model I9000 Insert Fire into a sound masonry fireplace which has an integral masonry chimney. Where such a chimney is not available, the heater can be installed into a timber framed structure provided that it is mounted in a special 'build in' (or 'zero clearance') metal shielding box. Build-in (zero clearance) installation kits and the special fascia and the special flue components necessary are available from your Masport Heating Dealer. Full assembly instructions are included in the kit.

# INSTALLATION REQUIREMENTS

## FIREPLACE PREPARATION

For a safe installation the following matters must be attended to:

The masonry fireplace and chimney must be thoroughly cleaned and checked for soundness.

The chimney must not connect to a second fireplace.

The joint between the chimney face and the fireplace surround must be checked and sealed to prevent leakage if necessary.

The fire may be installed in a sound masonry fireplace equipped with a sound masonry chimney. Further it may be installed in a masonry enclosure by following the requirements detailed in AS/NZS 2918:2001. Again it may also be installed in a timber framed enclosure using a 'zero clearance' kit.

The flue pipe must be fitted right up the masonry chimney to exit above the chimney top, and the space between the flue pipe and chimney must be ventilated at the top. The area of this vent must be not less than 10'000mm<sup>2</sup>. The vent must be fitted with means to prevent significant ingress of water and debris. The flue must be free to move up and down at the top as it expands and contracts with temperature changes. This movement can be 25mm or more.

## FIREPLACE CAVITY DIMENSIONS (MINIMUM)

Width: 780mm

Height: 700mm

Depth: 565mm

Distance from face of fire place surround to centre of flue spigot: 348mm

## DISTANCES TO HEAT SENSITIVE MATERIALS:

### SIDE WALLS:

Minimum distance to heat sensitive (combustible) sidewalls: 730mm from centerline of heater.

### MANTLE SHELF:

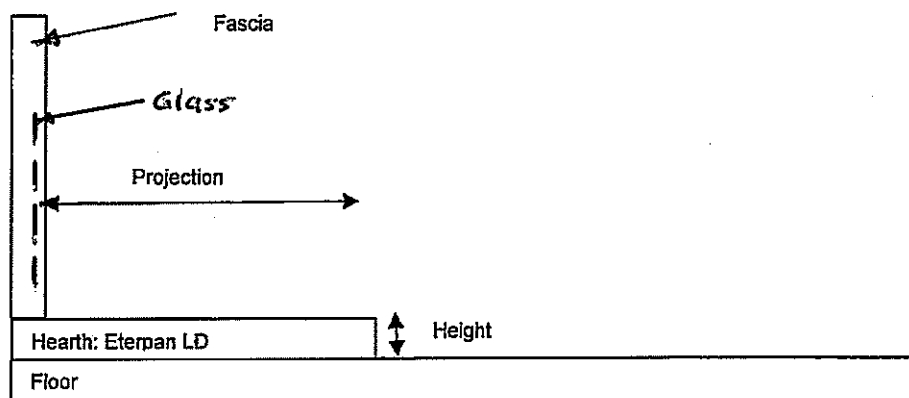
Mantle shelf must be at least 1200mm above the base of the heater and it must have a depth of not more than 150mm. In addition **the lower surface must be shielded** with a 1.2mm thick sheet-metal panel 165mm deep by at least 800mm wide. For best appearance you may increase the width of the shield to the width of the mantle shelf. The shield must be spaced 12mm from the lower surface of the mantle.

## HEARTH REQUIREMENTS:

You need an **insulating floor protector (hearth)**. The standard insulating floor protector (hearth) is constructed of two layers of 16mm thick MICORE 160 or one layer of WOODTEX 35mm thick, topped with a 6mm sheet of Hardies TILE & SLATE UNDERLAY and a layer of tiles or slate. This will give a thickness of approximately 50mm, and the extension from the face of the glass must be at least 431mm if the floor protector is flush with the surrounding heat sensitive material. The floor protector must be at least 1025mm wide. It is desirable to carry the floor protector all the way inside the fireplace to ensure that the bottom of the fire does not rest below the top surface of the floor protector. Of course an existing fireplace should already have a suitable hearth. Please check the dimensions.

The projection distance for the floor protector can be reduced if the height of the hearth is more than 0mm above combustible materials. Please refer to the following table:

## HEARTH PROJECTIONS



HEARTH HEIGHT	PROJECTION DISTANCE FROM GLASS TO FRONT OF HEARTH
mm	mm
0	431
10	410
20	389
30	365
40	344
50	323
60	300

## INSTALLING THE FIREBOX AND FLUE

Remove the door from the fire by opening it and lifting it up until the top pivot comes free and then lower the door until the bottom pivot comes free.

You require a 150mm diameter flue. The flue recommended for use in Australia is a stainless steel chimney kit such as Shamic #4. In New Zealand, we recommend the use of the GDA flue kit for insert fires.

Measure the fireplace recess and remove bricks as necessary to accept the firebox outer case. Clear away any rubble and clean, inspect and seal the chimney and fireplace as detailed under 'INSTALLATION REQUIREMENTS'.

Check the distance back from the face of the surround to the centre of chimney to determine whether the flue will require an offset fitting. If needed, fix it to the lower end of the assembled flue sections in the chimney and lift the flue assembly up while the firebox case is pushed back into the recess. Verify that the case will be fully supported in a level position when installed.

Fit the first insulating blanket measuring 530x1310mm approx from left to right. It will hang down either side. Now fit the second blanket measuring 610x850 approx from front to the rear and down. The insulating blankets are supplied with the Insert Fascia, not with the I9000 Fire.

Slide the case in and adjust its position so that its upper flange is in line with the face of the surround.

Slide out the top front section of the case for access for fitting and fixing the flue. Alternatively, the firebox baffle may be removed for this purpose.

Lower the flue into position. Seal the flue at the firebox spigot using fire cement or fiberglass rope. Secure the flue to the spigot. Re-fit the sliding panel with the insulating blanket on top of the firebox outer cabinet.

In New Zealand and some parts of Australia, Standards require that the woodfire be secured to prevent shifting in the event of an earthquake.

**To provide seismic restraint**, screw the case to the base of the fireplace recess with at least two 6mm masonry anchors (Dynabolts) or two 12 gauge screws through the holes in the bottom of the firebox outer case.

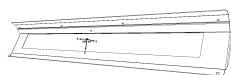
#### INTERNAL PARTS

Ensure that the ceiling baffle, secondary air tube and the four side bricks and the three rear bricks are in their correct position.

Check and ensure that the fan rests on four rubber grommets and that the front two grommets are resting over the two upturned lugs of the cabinet base plate.

## INSTALLING THE FASCIA

Unpack fascia and lay flat on floor, front face up, careful not to scratch the paintwork. Remove the vent cover panel (item 1) which will be just above the door on the final installation. It is secured with two screws. Take care not to scratch any panels.



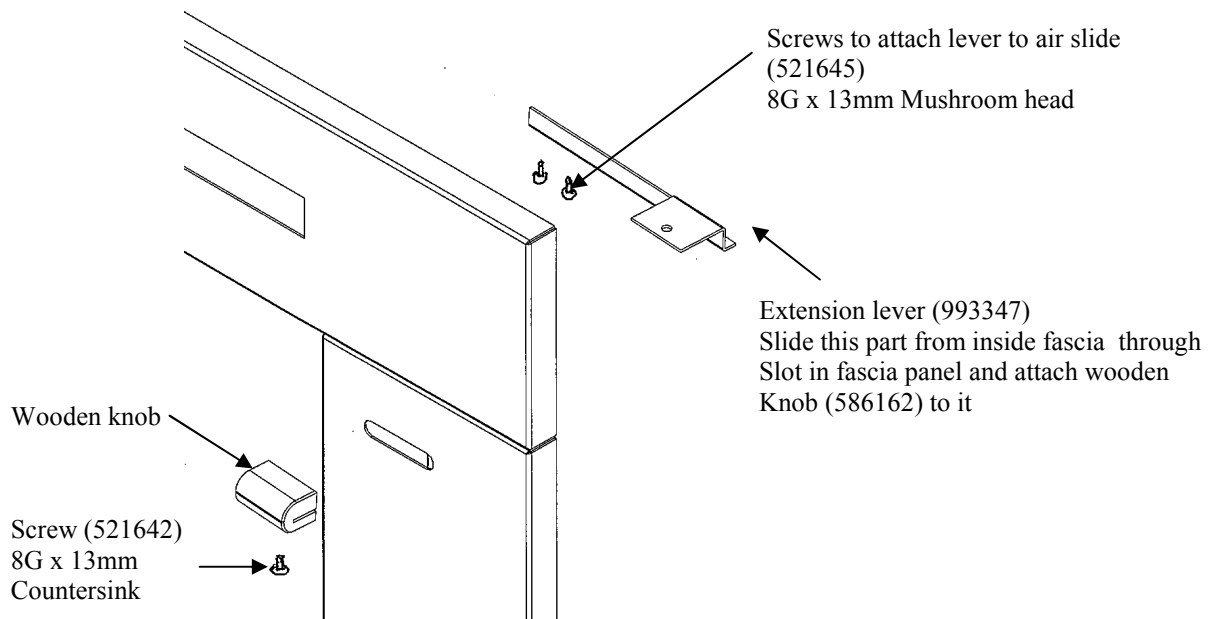
— Vent cover panel item 1

Turn fascia over and check all screws for tightness.

Remove rocker switch from wiring loom and insert switch from the outside through the rectangular hole on the left upper side of the fascia.

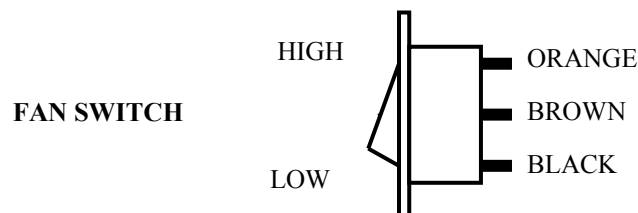
**Before fitting the fascia to the fire cabinet** you have to fit the air slide extension lever and the wooden knob to the fascia. These parts including the screws are supplied with the fire, not with the fascia.

Please see sketch below for details.



Now bring the fascia in its upright position close to the fire and **connect the earth lead to the tag** on the lower end of the left hand fascia bracket. This is a quick connect push-on connection.

Connect the three terminals at the end of the loom to the switch. See sketch for position of wires. Ensure the loom rests in the notch behind the left hand fascia.



Position the power cord with the three pin plug at the end through the slot at the bottom end of the left hand fascia panel. Make sure the small rubber grommet is inserted into the slot to protect the mains lead against possible damage..

Move fascia to the front of fire and gently slide the assembly inwards. Secure with 4 screws to the cabinet. Use the two uppermost and the two lower screws at this stage.

Now fit the vent cover (item 1) with the six screws.

Connect the air slide extension lever with two mushroom head screws to the air slide extension bracket. The lever goes inside the extension bracket. Attach this assembly to the air slide with two screws and adjust the height.

Fit the door. Hook the bottom pivot over the lower end of the hinge pin and lift the door up until the top pivot drops over the top end of the hinge pin.

Check the installation.

Insert plug into wall power socket and check the operation of the fan.

Hand over the owner's manual to the owner of the fire.